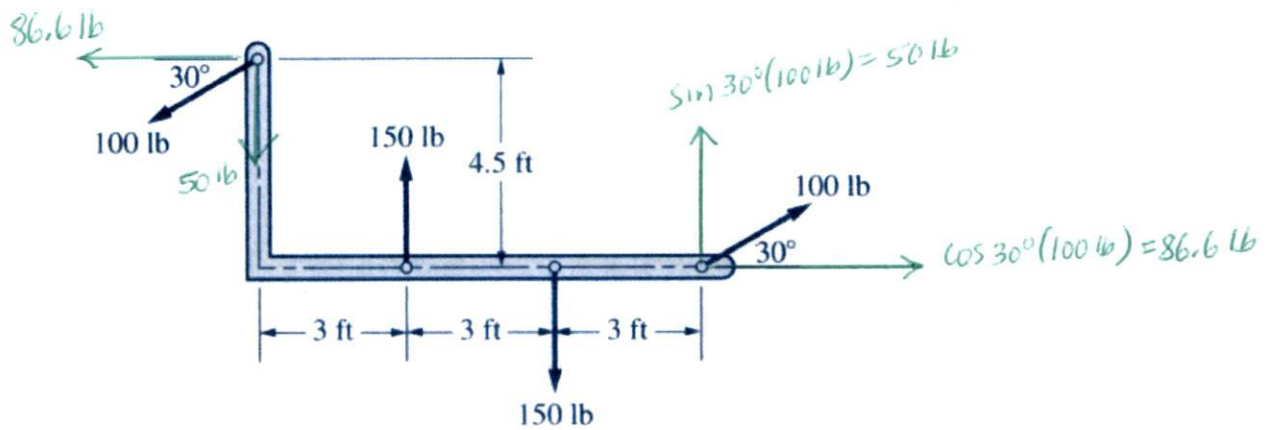


2-43 and 2-44 Determine the resultant moment of the couples acting on the bodies shown in Figs. P2-43 and P2-44.

2-44

Solution.



$$\begin{aligned} M_f &= 86.6 \text{ lb}(4.5 \text{ ft}) + 50 \text{ lb}(9 \text{ ft}) - 150 \text{ lb}(3 \text{ ft}) \\ &= 389.7 \text{ lb}\cdot\text{ft} + 450 \text{ lb}\cdot\text{ft} - 450 \text{ lb}\cdot\text{ft} \\ &= 390 \text{ lb}\cdot\text{ft} \curvearrowright \end{aligned}$$